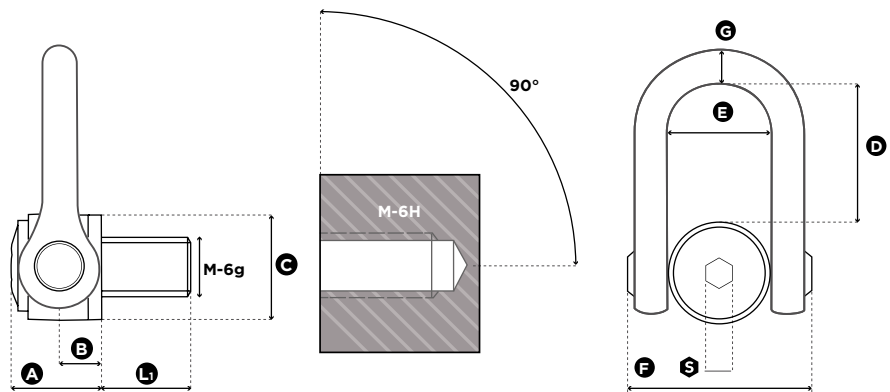


SS.DSS

STAINLESS STEEL DOUBLE SWIVEL SHACKLE

METRIC THREADS



1 in = 25.4 mm

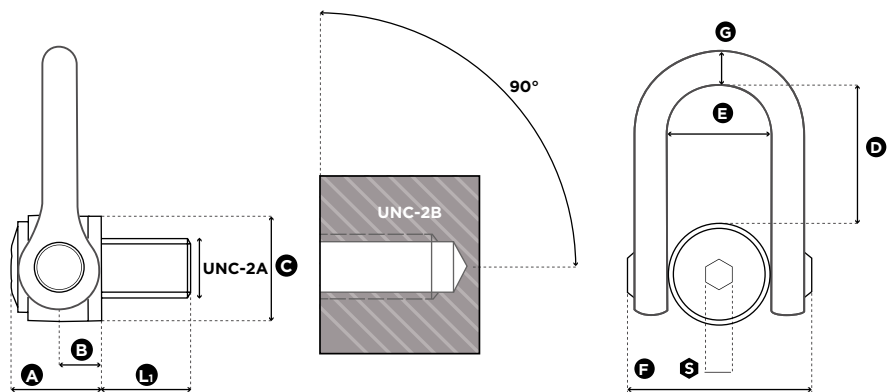
Reference	Diameter	SF 5:1 WLL (t)	SF 4:1 WLL (t)	Standard L1 (mm)	Torque (Nm)	S (mm)	A (mm)	B (mm)	C (mm)	D (mm)	E (mm)	F (mm)	G (mm)	Weight	
														(kg)	(lbs)
SS.DSS M 24	M 24 (x3)	2,70	2,70	36	160	19	61	31	70	98	73	149	30	5,2	11.46
SS.DSS M 30	M 30 (x3,5)	3,50	3,50	45	250	19	61	31	70	98	73	149	30	5,2	11.46
SS.DSS M 33	M 33 (x3,5)	3,50	3,50	50	250	19	61	31	70	98	73	149	30	5,2	11.46
SS.DSS M 36	M 36 (x4)	5,00	5,00	54	320	19	61	31	70	98	73	149	30	5,2	11.46
SS.DSS M 36x3	M 36 (x3)	5,00	5,00	54	320	19	61	31	70	98	73	149	30	5,2	11.46
SS.DSS M 39	M 39 (x4)	5,00	5,00	54	320	19	61	31	70	98	73	149	30	5,4	11.90
SS.DSS M 42	M 42 (x4,5)	6,00	6,00	63	400	19	61	31	70	98	73	149	30	5,4	11.90
SS.DSS M 42x3	M 42 (x3)	6,00	6,00	63	400	19	61	31	70	98	73	149	30	5,4	11.90
SS.DSS M 45	M 45 (x4,5)	6,00	6,00	63	400	19	61	31	70	98	73	149	30	5,7	12.57
SS.DSS M 48	M 48 (x5)	6,40	6,40	68	600	19	79	38	90	123	91	182	41	11,0	24.25
SS.DSS M 48x3	M 48 (x3)	6,40	6,40	68	600	19	79	38	90	123	91	182	41	11,0	24.25
SS.DSS M 48x4	M 48 (x4)	6,40	6,40	68	600	19	79	38	90	123	91	182	41	11,0	24.25
SS.DSS M 52	M 52 (x5)	6,40	6,40	68	600	19	79	38	90	123	91	182	41	11,2	24.69
SS.DSS M 56	M 56 (x5,5)	8,00	8,00	78	600	19	79	38	90	123	91	182	41	11,3	24.91
SS.DSS M 56x4	M 56 (x4)	8,00	8,00	78	600	19	79	38	90	123	91	182	41	11,4	25.13

02.2024

SS.DSS

STAINLESS STEEL DOUBLE SWIVEL SHACKLE

UNC THREADS



1 in = 25.4 mm

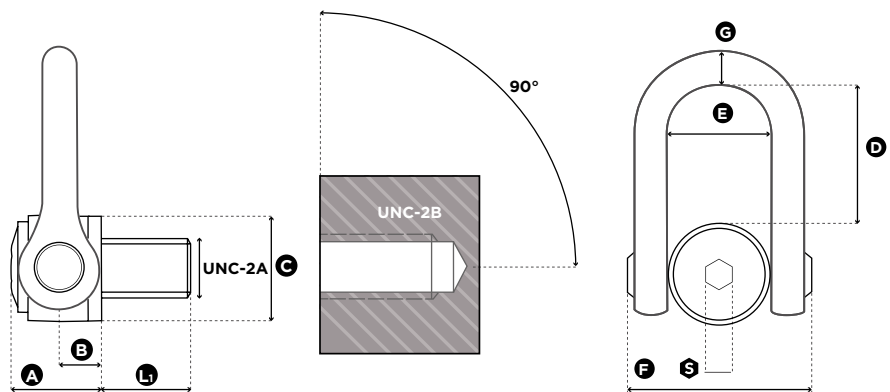
Reference	Diameter	SF 5:1 WLL (lbs)	SF 4:1 WLL (lbs)	Standard L1 (mm)	Torque (ft-lb)	S (mm)	A (mm)	B (mm)	C (mm)	D (mm)	E (mm)	F (mm)	G (mm)	Weight	
														(kg)	(lbs)
SS.DSS U 100	UNC 1"-8	6,000	6,000	36	125	19	61	31	70	98	73	149	30	5,2	11.46
SS.DSS U 125	UNC 1" 1/4-7	7,500	7,500	45	200	19	61	31	70	98	73	149	30	5,2	11.46
SS.DSS U 138	UNC 1" 3/8-6	7,500	7,500	54	240	19	61	31	70	98	73	149	30	5,2	11.46
SS.DSS U 150	UNC 1" 1/2-6	11,000	11,000	54	240	19	61	31	70	98	73	149	30	5,4	11.90
SS.DSS U 200	UNC 2" 4,5	14,000	14,000	76	450	19	79	38	90	123	91	182	41	11,1	24.47

02.2024

SS.DSS

STAINLESS STEEL DOUBLE SWIVEL SHACKLE

UNC THREAD (INCH)



1 in = 25.4 mm

Reference	Diameter	SF 5:1 WLL (lbs)	SF 4:1 WLL (lbs)	Standard L ₁ (inch)	Torque (ft-lb)	S (inch)	A (inch)	B (inch)	C (inch)	D (inch)	E (inch)	F (inch)	G (inch)	Weight	
														(kg)	(lbs)
SS.DSS U 100	UNC 1"-8	6,000	6,000	1.42	125	0.75	2.40	1.22	2.76	3.86	2.87	5.87	1.18	5,2	11.46
SS.DSS U 125	UNC 1" 1/4-7	7,500	7,500	1.77	200	0.75	2.40	1.22	2.76	3.86	2.87	5.87	1.18	5,2	11.46
SS.DSS U 138	UNC 1" 3/8-6	7,500	7,500	2.13	240	0.75	2.40	1.22	2.76	3.86	2.87	5.87	1.18	5,2	11.46
SS.DSS U 150	UNC 1" 1/2-6	11,000	11,000	2.13	240	0.75	2.40	1.22	2.76	3.86	2.87	5.87	1.18	5,4	11.90
SS.DSS U 200	UNC 2" 4,5	14,000	14,000	2.99	450	0.75	3.11	1.50	3.54	4.84	3.58	7.17	1.61	11,1	24.47

02.2024